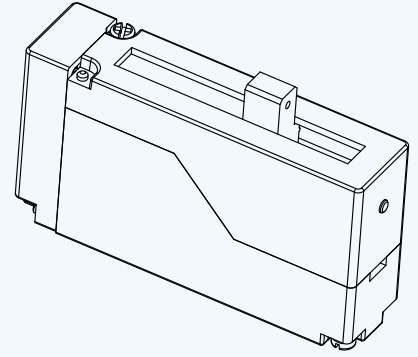




VIGOR PRECISION LTD.

力嘉精密有限公司



VS-19 LINEAR SERVO FOR REFERENCE

TECHNICAL DATA

Control System:	Pulse width control, 1500 μ s neutral
Operating Voltage:	3.7V (DC)
STD Direction:	Right / pulse traveling 800 to 2200 μ sec.
Test Voltage:	at 3.7V
Operating Speed:	1 sec / 12mm at no load
Stall Torque:	\geq 60gf.cm
Running Current:	\sim 0.15A
Stall Current:	\sim 0.45A
Output Distance:	\geq 15mm
Dead Band Width:	5 μ sec

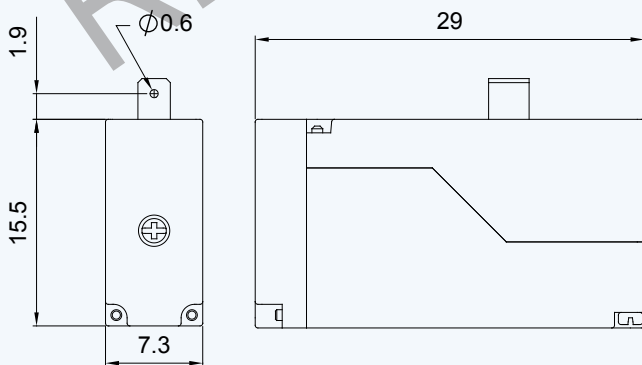
FEATURES

Motor Type:	Coreless Motor
Potentiometer Life:	500,000 cycles
Bearing:	None
Gear Material:	Resin
Output Style:	ϕ 0.6mm Hole
Connector Wire Length:	75mm(2.95in),30AWG(3Pin Connector & Pitch 1.5mm)

DIMENSIONS

Size :	29.0 \times 7.3 \times 15.7mm(1.14 \times 0.29 \times 0.62in)
Weight:	3.7g (0.13oz)

CASE AND HORN DRAWING



OPTION ACCESSORIES:

REMARKS: